

Z-BASE ROLL CAGES

(RCS01 series)

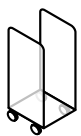



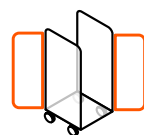






- > 500kg total load capacity.
- > 750mm(W) x 725mm(D) x 1,750mm(H).
- > Z style base frame. Fully nestable.
- > Doors swivel 270°.
- > Zinc plated surface finish with clear lacquer.
- > Fitted with 2x rigid castors and 2x swivel brake castors for safety and superior manoeuvrability.
- > Fits through standard doorways.
- > Recessed handles helps to protect operator's hands from impacts and injuries.
- > Supplied fully assembled - ready to use!



RCS01-07 pictured

Models in this series:

	RCS01-01 Base shelf. No doors.		RCS01-02 Base and mid shelves. No doors.		RCS01-03 Base shelf. Full height door.
	RCS01-04 Base and mid shelves. Full height door.		RCS01-05 Base shelf. Full height doors.		RCS01-06 Base and mid shelves. Full height doors.
	RCS01-07 Base and mid shelves. Split doors.		RCS01-08 Base and mid shelves. Full height and split doors.	<p>CHECK ONLINE FOR LATEST PRICING & DEALS! </p>	

Accessories:

DROP-IN SHELF 	LINER 	COVER 	STORAGE POUCH 	COLLAPSIBLE CRATE 
--	---	---	---	---